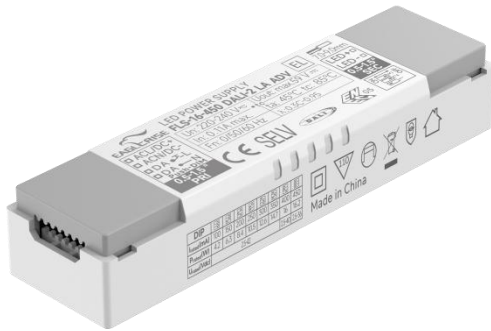


16W DALI + PUSH Dimming power supply



■ Approve



Features

- For luminaries of protection Class II, SELV, Independent
- Input Voltage : 220-240V
- Protections: SCP/OLP/OVP/OTP
- Power Factor : 0.95
- Efficiency : 85%
- Support DALI-2, Push Dimming
- 5 years warranty

Applications

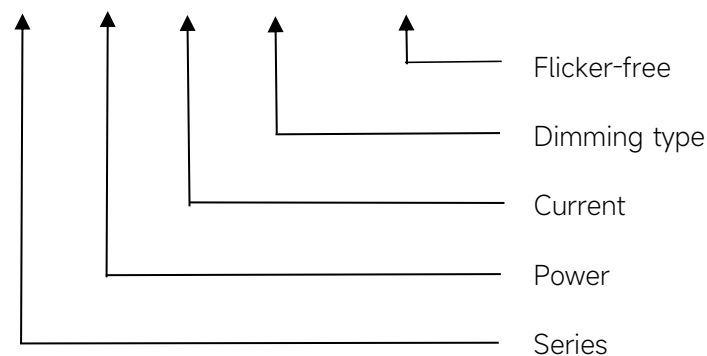
- LED panel, Spot light, Down light

◆ Description

FLS-16-450 DALI-2 LA ADV is a 16W constant current LED driver with 100 to 450mA output current and a forward voltage range from 2.5 to 42Vdc. The output current is adjustable by DIP Switch. With its dimensions from 115 x 30 x 20.5 mm. It is easy to integrate in LED panel, spot and down light products. To ensure trouble-free operation, protection is provided against output short circuit, over load, over voltage and over temperature.

◆ Model code

FLS-16-450 DALI-2 LA ADV



◆ Specification

	Constant Current (mA)	100	150	200	250	300	350	400	450	
Output	Voltage Range (VDC)	2.5-42						2.5-40	2.5-36	
	Unload voltage Max.	59VDC								
	Current Accuracy	±7%			±5%					
	Output LF current	±5%								
	SVM	≤0.4@Full Load,230VAC								
	P _{st}	≤1@Full Load,230VAC								
	Efficiency(Typ.)	85%@Full Load,230VAC								
	EOFI	15%								
	Input	Rated input voltage	220-240V							
Range of input voltage		198-264VAC								
Maximum voltage		300VAC@1 h maximum,unit might not operate in this abnormal condition								
Rated input voltage(DC)		176-280VDC								
Frequency(Hz)		0/50/60 Hz								
Displacement factor		≥0.7@Full Load,230VAC								
Power Factor		0.95@Full Load,230VAC								
Input Current		0.11A MAX.								
Start-up time		< 0.8S								
Switch over time(AC/DC mode)		< 0.5S								
No Load Power		≤0.5W								
Standby Power		≤0.5W								
THD (Typ.)		<10%@Full Load,230VAC								
Dimming	Dimming	YES								
	Dimming mode	DALI-2 (IEC 62386-101,102,207,251,252,253) & Push Dimming (Corridor Function)								
	Dimming depth	4mA@≤400mA; 1%@450mA								
	Dimming current range	1-100%								
Protection	Over Load Protection	103-120%								
		YES/Auto Resume								
	Over Voltage Protection	> 59VDC								
		YES/Auto Resume								
Capability	Surge capability (L-N)	1KV								
	Surge capability	NA								
Withstand voltage	Input-Output	3750V/ 5mA/ 60S								
Environment	Operating Temperature	-20°C~+45°C								

	Humidity	20%-90%RH
	Tc	85°C
	Storage Temperature	-25°C~+85°C
	Lifetime	>50000h,@Tc=80°C
	Noise	≤25dB(A)@20cm
Surface	Dimension	115X30X20.5mm
	material	PC
Standards	Safety	GB19510. 1, GB19510. 14;IEC61347- 1, IEC61347-2- 13;AS/NZS 61347- 1, AS/NZS 61347-2-13;AS 61347.2.13;EN62384;
	EMC	GB/T17743, GB17625. 1;EN55015, EN61000-3-2, EN61000-3-3, EN61547;EN55015, EN61000-3-2, EN61000-3-3, EN61547,EN 62493;EN61000-4-5;EN61000-4-2,3,4,5,6,8,11, EN61547
	ErP	Erp2.0 EU 2019/2020
	RoHS	RoHS (2011/65/EU) (EU)2015/863
Note	<p>1.All parameters NOT specially mentioned are measured at 230VAC input , full load and 25°C of ambient temperature.</p> <p>2.Ripple & Noise are measured at 20MHz of bandwidth by using a 300mm twisted pair-wire terminated with a 0.1uF & 47 uF parallel capacitor.</p> <p>3.Data are typical values obtained from test samples.</p> <p>4.DALI protocol comprises 16 groups and 64 addresses.Up to 32 drivers can perform the PUSH dimming at the same time when utilizing one push button.</p> <p>5.EL compatible with IEC 61347-2-13 Annex J, compatible with EN 60598-2-22 emergency lighting fixtures, compatible with EN 50172 central battery system applications.</p> <p>6.The DC input for this product is only used for emergency lighting and applies to functional and safety requirements, EMC is not considered.</p> <p>7.All Eaglerise power supply are complied with EMI regulations. Since they are belong to component and will be installed inside system enclosure. When they are integrated into a system, the EMI characteristics of the system must be re-verified again.</p>	

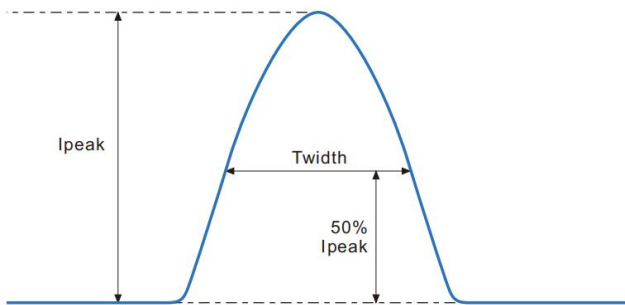
◆ Parameter

Number	Output				Switch position		
	Current (mA)	Voltage (VDC)	Voltage No load (VDC)	Power (W)	1	2	3
1	100mA	2.5-42VDC	59VDC	4.2	--	--	--
2	150mA	2.5-42VDC		6.3	ON	--	--
3	200mA	2.5-42VDC		8.4	--	ON	--
4	250mA	2.5-42VDC		10.5	ON	ON	--
5	300mA	2.5-42VDC		12.6	--	--	ON
6	350mA	2.5-42VDC		14.7	ON	--	ON
7	400mA	2.5-40VDC		16	--	ON	ON
*8	450mA	2.5-36VDC		16.2	ON	ON	ON

* Factory default

◆ Inrush Current

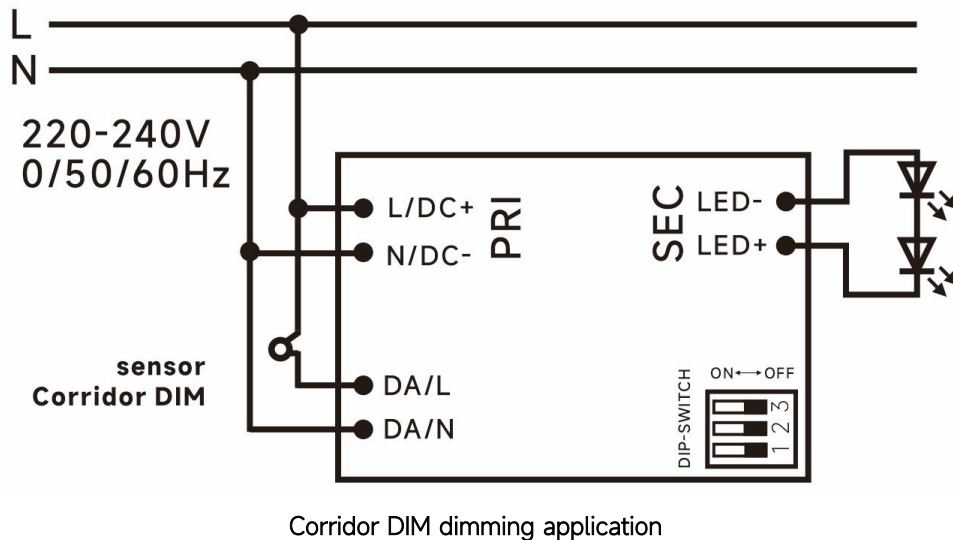
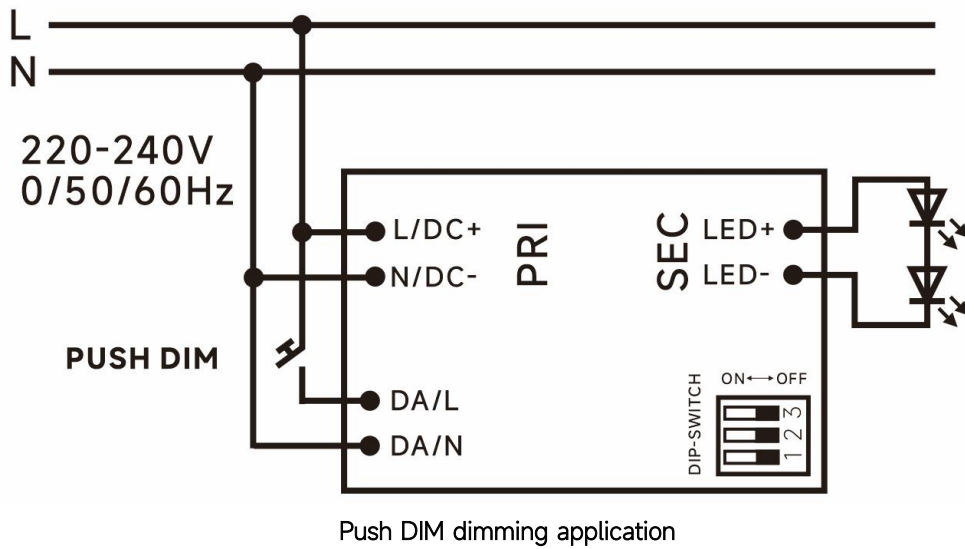
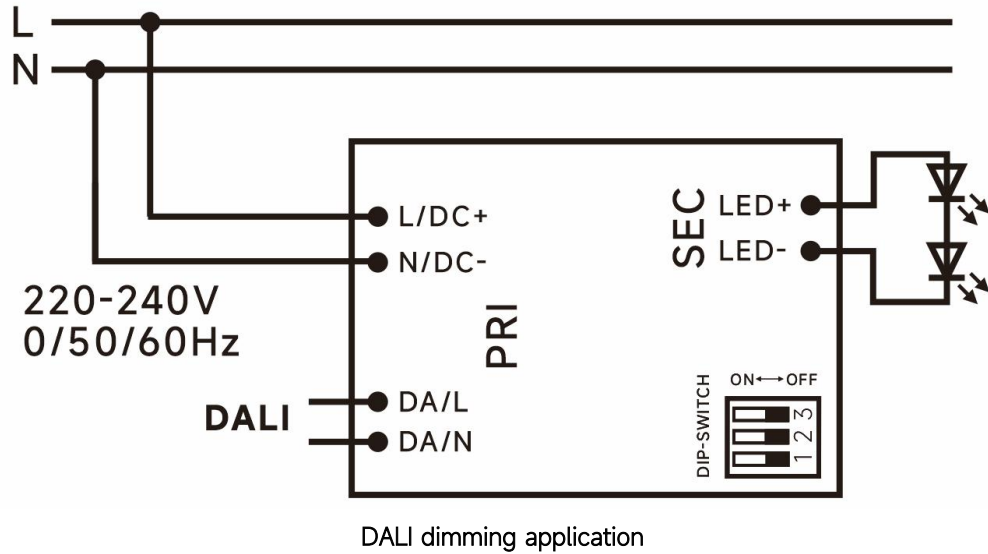
I _{peak}	T _{width}	B10	B16	B20	C10	C16	C20
2.38A	36μs	72pcs	116pcs	145pcs	72pcs	116pcs	145pcs



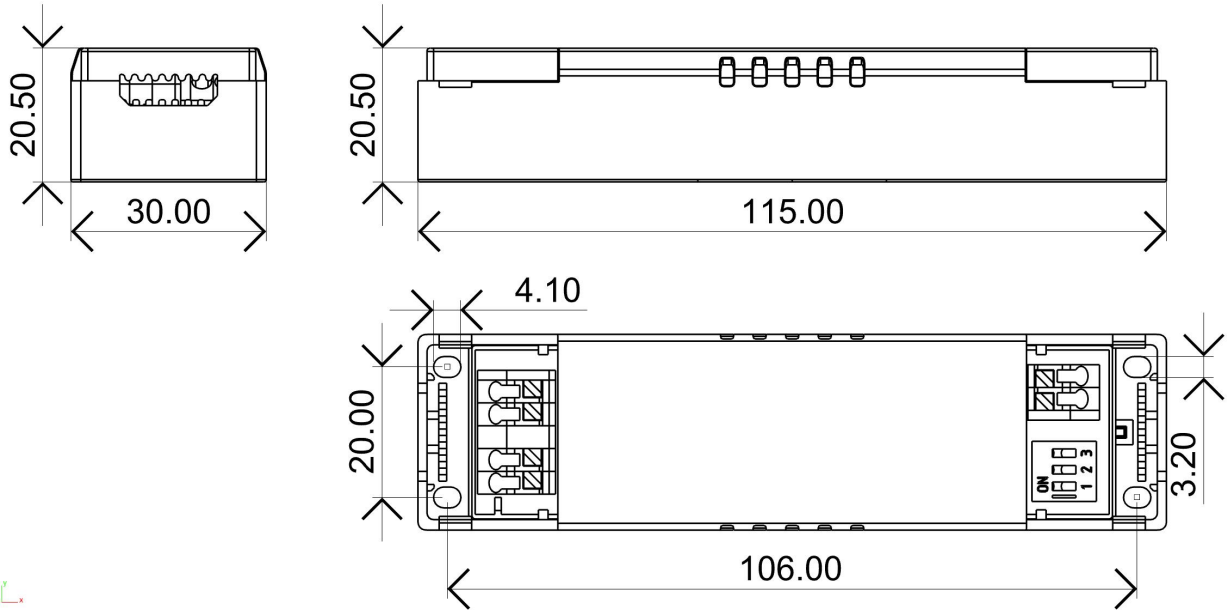
Remarks:

- 1.The number of drives mounted under different MCBs in the table is the maximum value. Please do not exceed this number during installation.
- 2.Different brands and models of miniature circuit breakers, the number of drives mounted will be slightly different.

◆ **Wiring diagram**



◆ **2D diagram**



◆ **Wiring & Connections**

Specification item		Value (Unit)
Input	Input wire cross-section	0.5...1.5 mm ²
	Input wire gauge.	16...20 AWG
	Input wire strip length	8...9mm
Output	Output wire cross-section	0.5...1.5 mm ²
	Output wire gauge.	16...20 AWG
	Output wire strip length	8...9mm

◆ **Recommended wire**

Wire cross-section	Wire type
2*0.5mm ²	H03VVH2-F 2core
2*0.75mm ²	H03VVH2-F 2core
1.5mm ²	CCC 08(RV-90)
16AWG(1.25mm ²)	UL1015

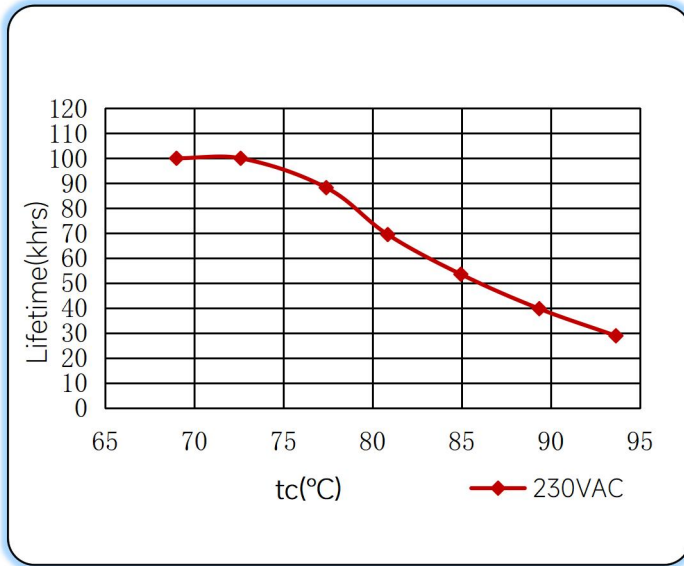
Note: Solid wire is risky to use on an angled terminal. Stranded wire is recommended for this kind of use.

◆ **Packaging**

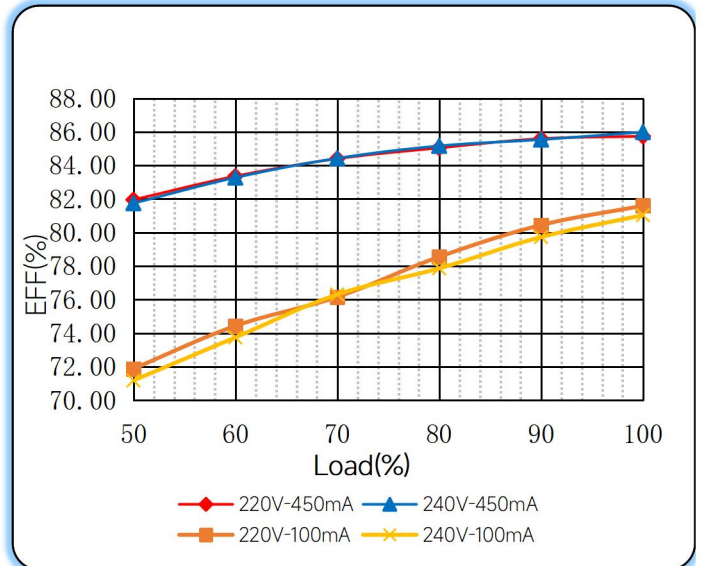
Model	Product Dimensions(mm)	weight/piece	Outer carton dimension(mm)	Quantity/carton	Net weight/carton(Kg)	Gross weight/carton(Kg)
FLS-16-450 DALI-2 LA ADV	115X30X20.5	0.061	380X285X225	203	12.383	14.81

◆ Curve for FLS-16-450 DALI-2 LA ADV, $I_o=100/450mA$

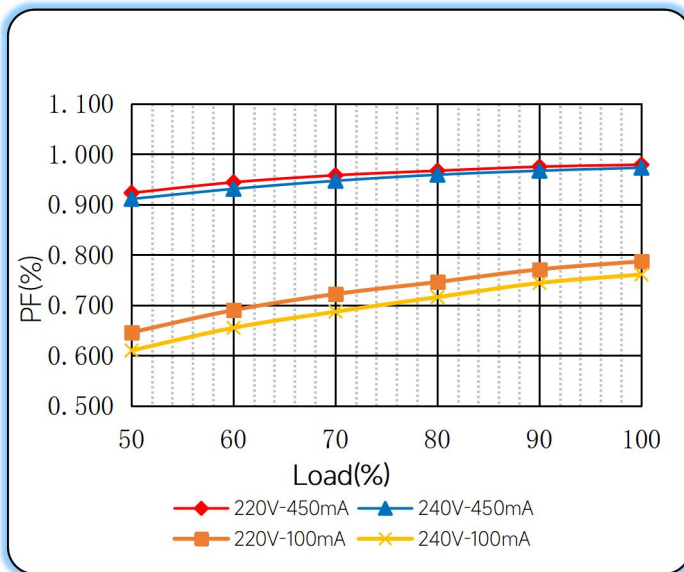
Lifetime vs. Temperature Curve



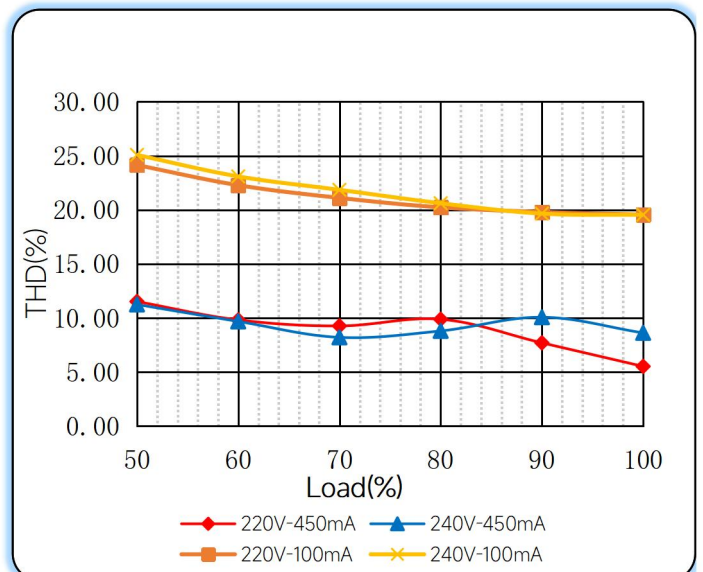
Efficiency vs. Load



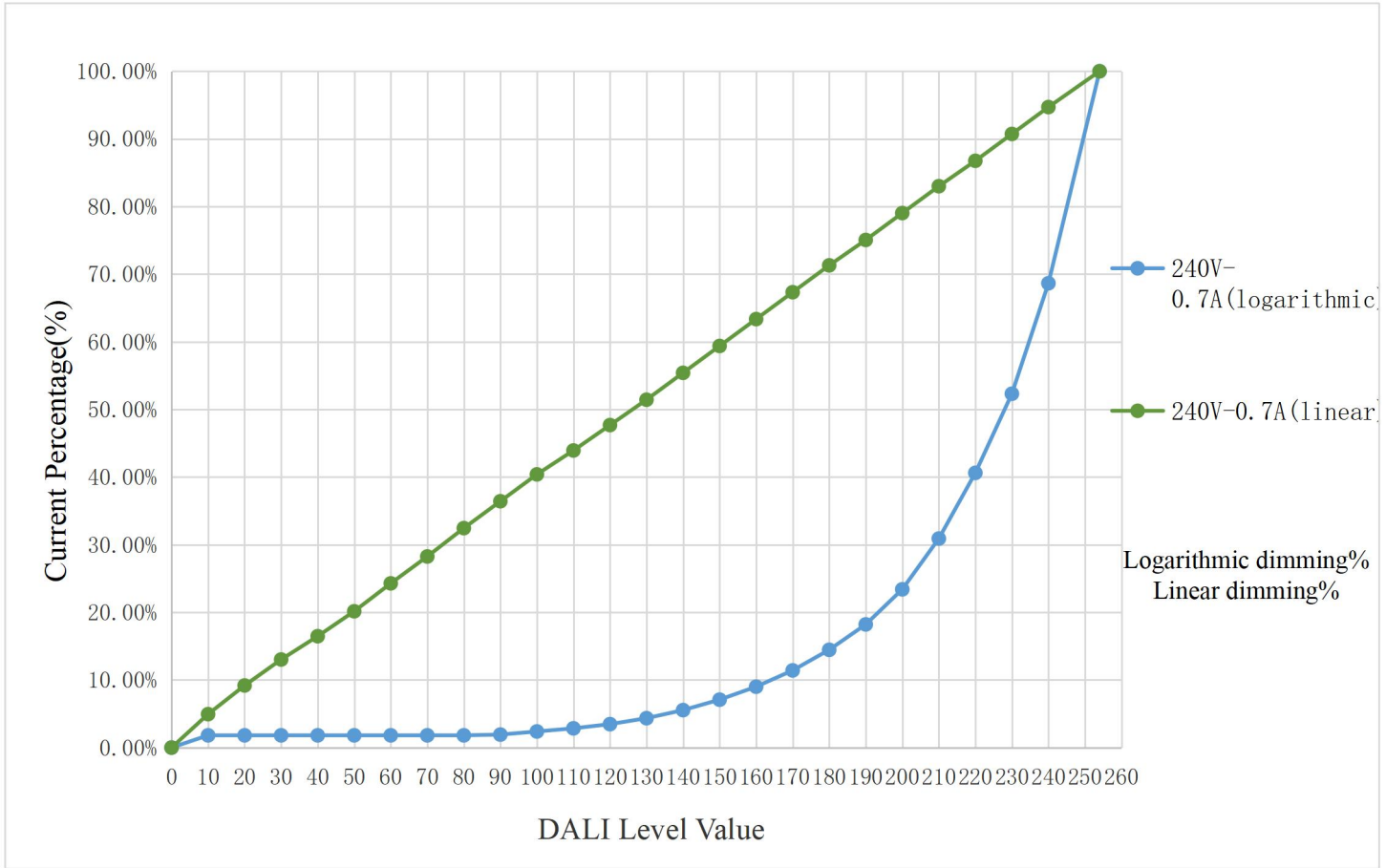
Power Factor Characteristics



THD vs. Load



◆ **Dimming Curve**



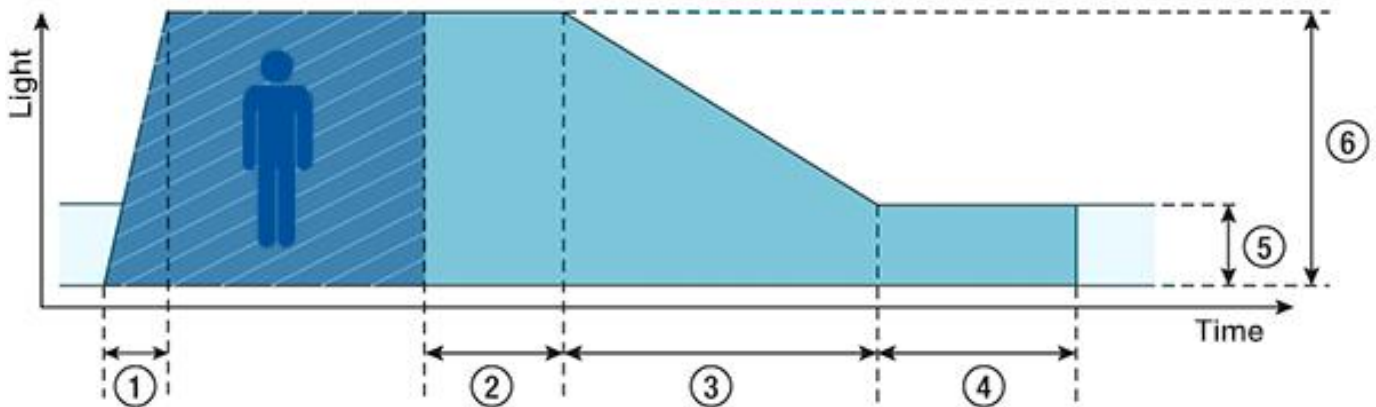
◆ Push dimming operation

Action	Action duration	Function
Short push	<0.5s	Turn on/off
Short push twice	<0.5s	LED on: Save current brightness level LED off: Delete saved level and turn on at 100% brightness
Short push five times	<3s	Quit Corridor mode
Long push	0.5-14s	Dimming up or down
Long push	15s-2mins	Sync all LEDs to be 100% brightness
Long push	>2mins	Enter Corridor mode - LED keep 100% brightness for 2mins. Then brightness will turn to be 10% within 32s if no action during 2mins 100% brightness.

Note:

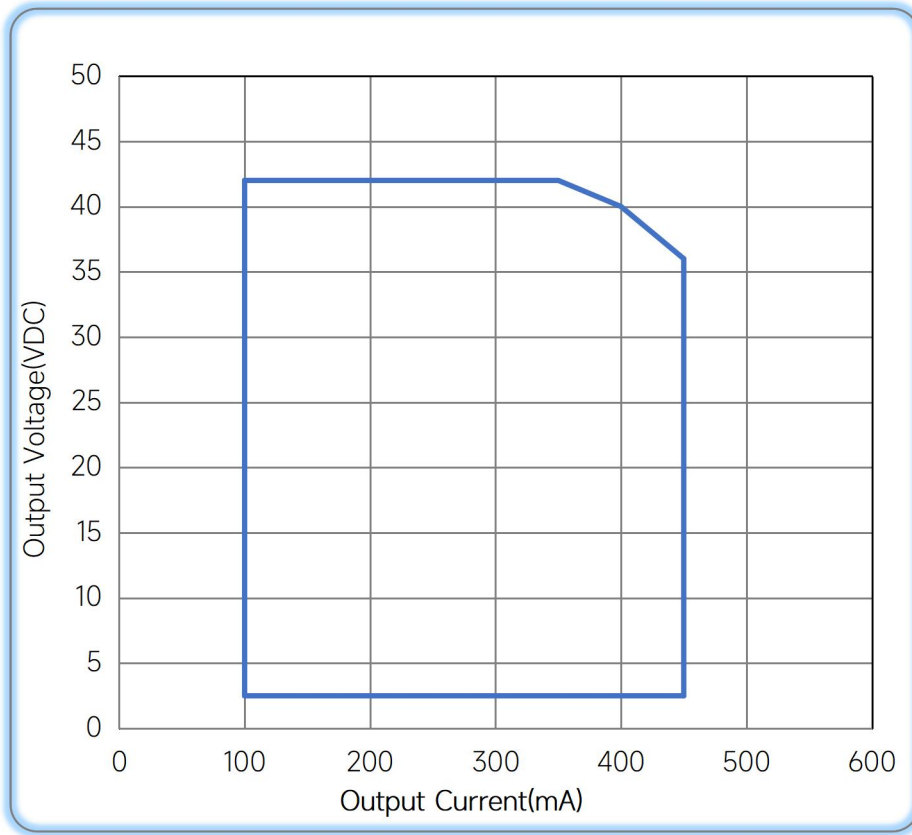
- 1.The factory default brightness is at 100%.
- 2.Up to 30 drivers can perform the PUSH dimming at the same time when utilizing one common push button
- 3.The maximum length of the cable from the push button to the last driver is 200 meters.

◆ Corridor mode



- ◆ ① **Fade-in time(0.5s)**: the time that starts as soon as the presence of a person is detected. During the fade-in time the luminous intensity is faded up to the presence value.
- ◆ ② **Run-on time(120s)**: the time that starts as soon as the presence of a person is no longer detected. If the presence of a person is detected again during the run-on time the run-on time is restarted from zero. If no presence is detected during the run-on time the fade time is started as soon as the run-on time expires.
- ◆ ③ **Fade time(32s)**: the time during which the luminous intensity is faded from the presence value to the absence value.
- ◆ ④ **Switch-off delay (level=10%.Non-configurable)**: the time during which the absence value is held before the lighting is switched off. Depending on the profile selected the switch-off delay may have different values or may not be defined.
- ◆ ⑤ **Absence value(default: 10 %)**: the luminous intensity when there is no person present.
- ◆ ⑥ **Presence value (default: 100 %)**: the luminous intensity when persons are present.

◆ **Operating window**



— Operating window 100%

◆ **Revision Updates**

ITEM	BEFORE	AFTER	VERSION	DATE
Initial			A	2025/10/20
Model Name	FLS-15-450 DALI-2 LA ADV	FLS-16-450 DALI-2 LA ADV	B	2025/12/05
Current Accuracy	±5%	±7%@100mA;±5%@150 ~ 450mA	C	2026/01/13

Remark:The final interpretation of the contents of the specification belongs to Eaglerise Electric & Electronic (China) Co., Ltd.

Tel: +86-0757-86256822, +86-0757-86256831
 E-mail: sales@eaglerise.com
 Website : <https://lighting.eaglerise.com>

